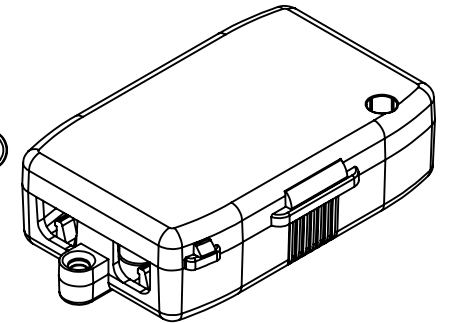
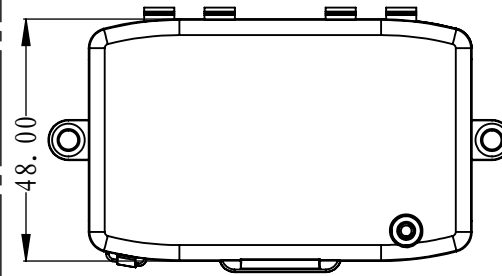


打开状态



闭合状态

SERIAL NUMBER: Q/KR.C09-05-186

JIANGMEN KREALUX ELECTRICAL APPLIANCES CO., LTD				MODEL NO: 415			
DRAWN	DATE	EDITION	A	SCALE	1: 1.5		